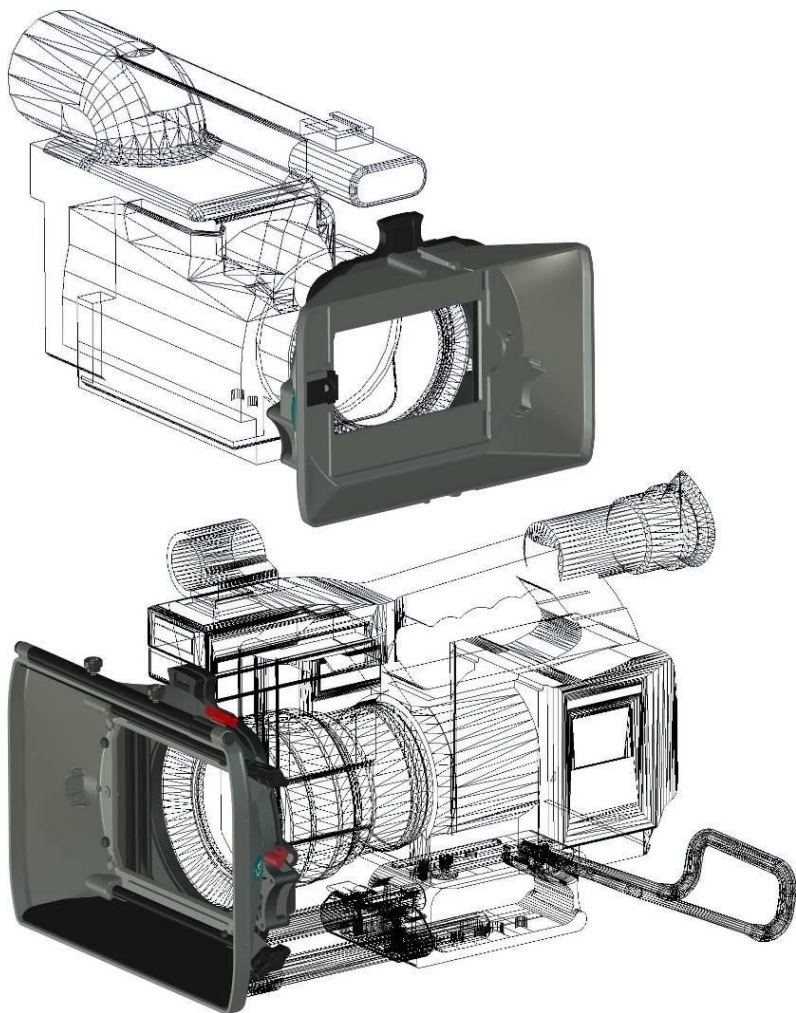




User manual
MB-2XX matte boxes
Version 2.0.1



Index:

Box contents MB-210 matte box #0200-0210:	2
Box contents MB-255 matte box #0200-0255:	2
Guide to components, MB-210 matte box #0200-0210:	3
Guide to components, MB-255 matte box #0200-0255	4
Common directions for using these matte boxes:.....	5
Adjusting the Clamping mechanism of these matte boxes	6
Accessories:.....	7
Contact data.....	7

Box contents MB-210 matte box #0200-0210:

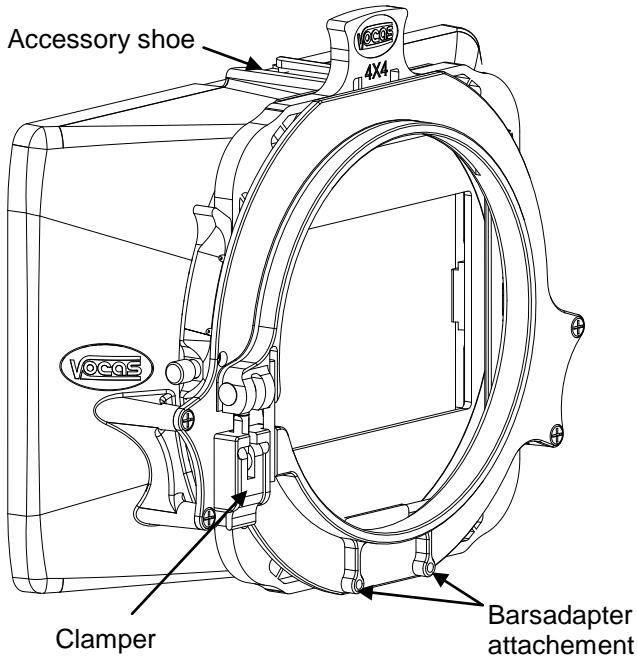
- 1 matte box.
- This manual.
- 1 pc. 4x4" filter frame.

Box contents MB-255 matte box #0200-0255:

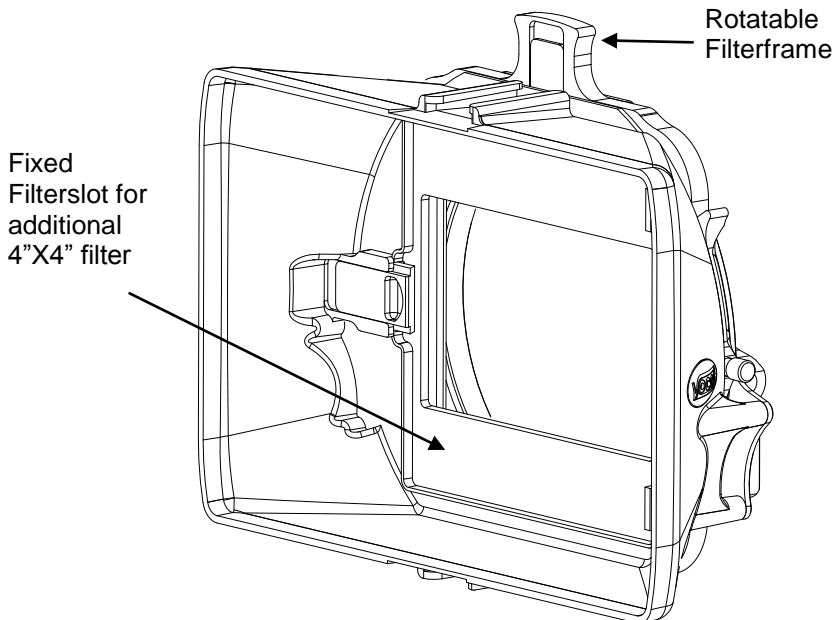
- 1 matte box with wide angle hood.
- French flag
- This manual.
- 2 pc. 4x4" filter frame.
- 114 to 105mm step down adapter ring

Guide to components, MB-210 matte box #0200-0210:

Rear view

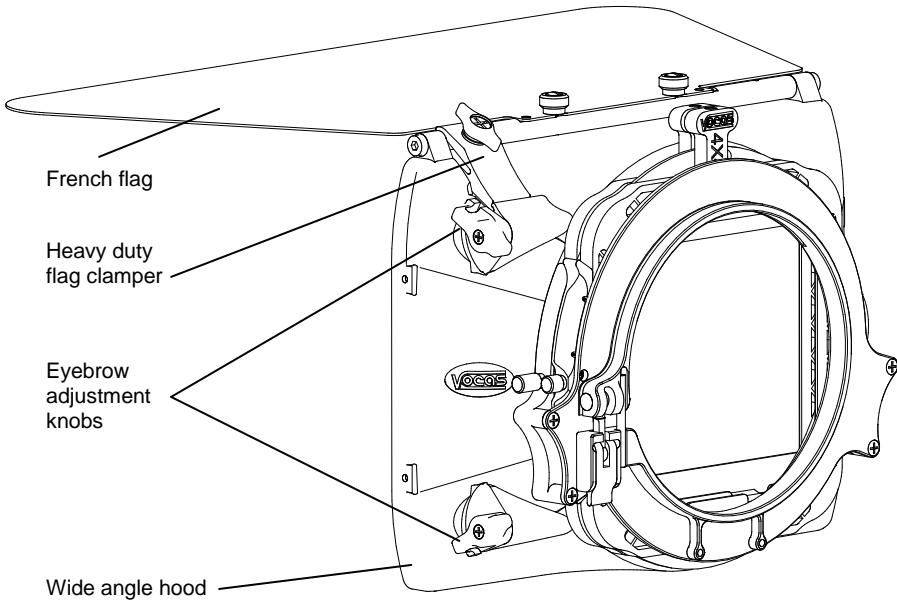


Front view



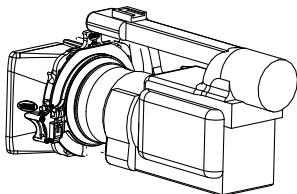
Guide to components, MB-255 matte box #0200-0255

Rear view

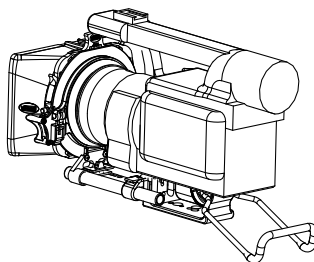


Common directions for using these matte boxes:

- These matte boxes can be attached to the camera in two ways:
 1. clip-on:
For maximum lightweight and economical operation the matte box attaches directly to the front lens of the camera. Either with or without a wide angle converter. The internal rear end diameter of these matte boxes is 105mm, there are step-down adapter rings available for most camera's.
 2. On a 15mm rail support.
This support also attaches your matte box to the base of your camera, and is fully compatible with the industry's 15mm Arri lightweight support standard. Accessories (such as follow focuses) from other brands will fit on this support.



Clip-on

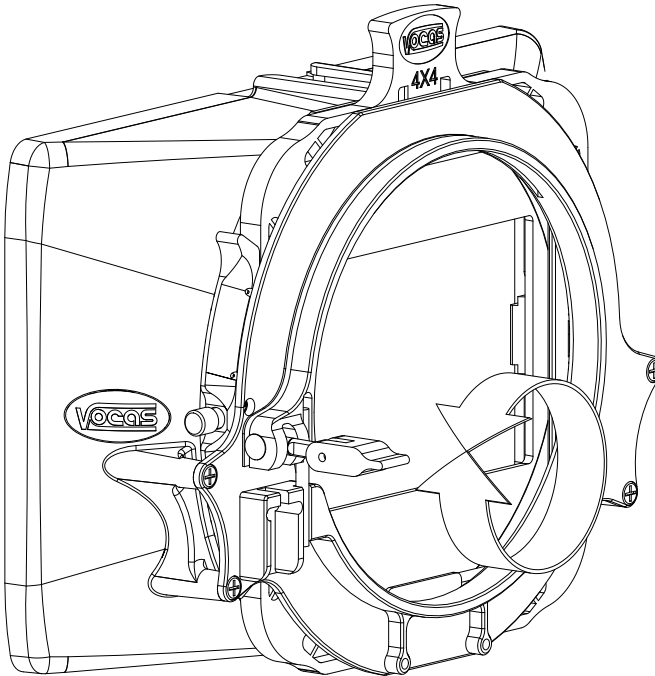


15mm support

- If the matte box is used on a rail support, we most strongly recommend using the flexible adapter ring kit. This is a soft donut shaped step-down ring. To prevent light from entering from the rear side of the matte box (and reflecting via the filter in front of the lens), the hole in the rubber donut ring must match the front diameter of used the lens. Therefore the rubber donut rings are supplied in various diameters. This ring can handle lenses up to 95mm in front outside diameter.
- For extra reduction of flare, the patented Eyebrows are added in the MB-250. These internal French flags can be adjusted to the zoom position of the lens by rotating the "eyebrow adjustment knobs".
Caution: Not all viewfinders, LCD screens, and monitors show 100% of the captured image. Therefore, if the eyebrows are adjusted with the help of the LCD screen, it might be possible that the eyebrows come into picture.
- The accessory shoe of the MB-210 can be used to attach a optional French flag, a camera light or a microphone holder.
- When using a polariser or star filters the first filter frame (the one which is the nearest to the camera) can be rotated.
- These matte boxes also work in combination with most Century Precision wide-angle adapters.

Adjusting the Clamping mechanism of these matte boxes

1. Take the matte box of the lens.
2. Put the clamber in the "open" position.
3. Pull the clamber out of its housing as shown below.
4. Rotate the clamber right to tighten or left to loosen with halve a turn at the time.
5. Put the clamber back in its original position.
(note: please be careful not to over tighten the mechanism).



Accessories:

For all available accessories and compatibilities please check our website:
www.vocas.com

Contact data

Vocas Systems B.V.
Larenseweg 121
1221 CL Hilversum-Netherlands
T:+31(0)35-6233707 F:+31(0)35-6233997
www.vocas.com